

## Tablet Tray

Tablet Tray is available in both narrow and wide versions and is designed for secure and practical storage of an iPad, tablet, or smaller items. The drawer comes with a lock and two keys, and the lock can easily be replaced with a high-quality German system lock with master key if desired.

Inside, the drawer features a non-slip rubber mat to protect the contents from scratches and impacts.



### Tablet Tray, Narrow w. Lock

H: 46 mm W: 328 mm D: 343 mm

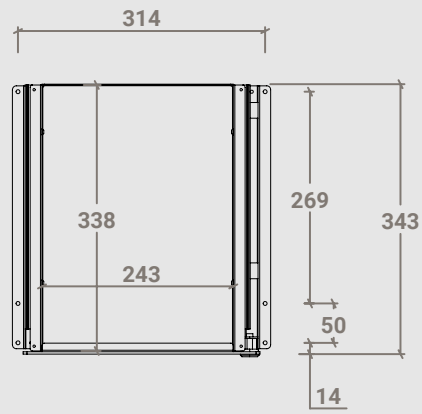
- 4010-0002-9005
- 4010-0002-9006
- 4010-0002-9016



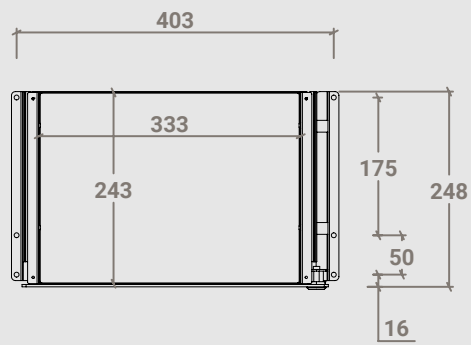
### Tablet Tray, Wide w. Lock

H: 46 mm W: 318 mm D: 343 mm

- 4015-0002-9005
- 4015-0002-9006
- 4015-0002-9016



Item no.: 4010-0002



Item no.: 4015-0002